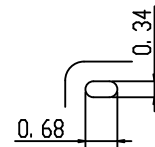
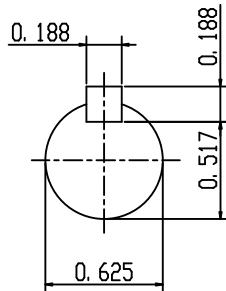
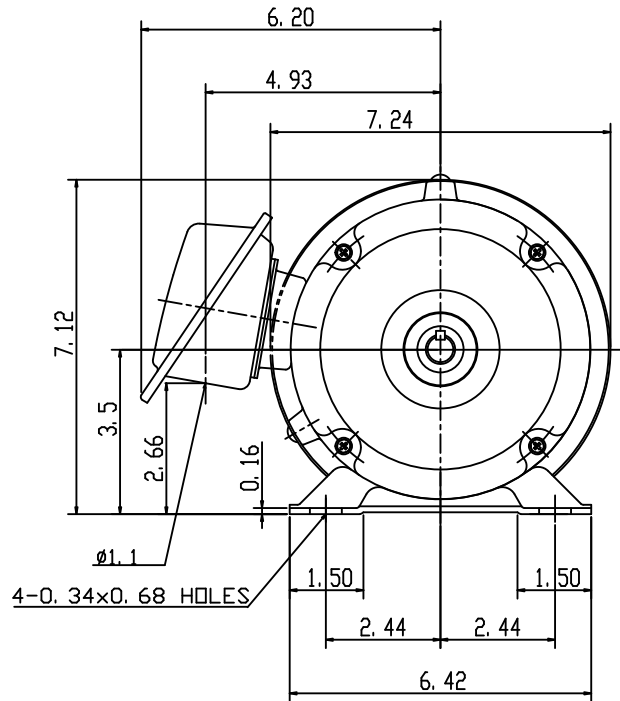
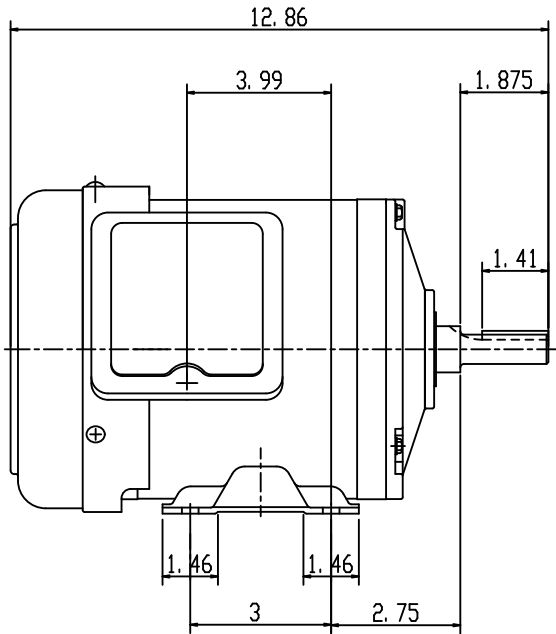


DATE FEB. 22, 2012	OUTLINE DIMENSIONS 3-PHASE INDUCTION MOTOR	MODEL TYPE: AEGH
CATALOG NO. GH0/76		FRAME NO. 56

Pole	HP	KW	Hz	VOLT	Syn. Speed R. P. M
6	.75	.56	60	230/460	1200

Ins.	Rating	Dimensions in	Approx Weight	Bearings
F	CONT.	inch	30 lbs	DE: 6205ZZ NDE: 6204ZZ

Totally Enclosed Fan Cooled
Squirrel-Cage



SCALE 4: 1

APPD.	W. H. TSAI	07 21 03	TECO   Westinghouse	DWG NO.	31049Z105
CHKD.	J. B. CHEN	07 20 03			
DWN.	Y. Y. CHEN	07 20 03			2204